



# Technical Data Sheet

## Infrared Remote-control Receiver Module

**IRM-3738**

### ■ Features :

- High protection ability against EMI .
- Circular lens to improve the receive characteristic.
- Line-up for various center carrier frequencies.
- Low voltage and low power consumption.
- High immunity against ambient light.
- Photodiode with integrated circuit.
- TTL and CMOS compatibility.
- Long reception distance and high sensitivity
- Automatic sensitivity adaptation(AGC) and automatic strong signal adaptation(ATC).



### ■ Description :

- The device is a miniature type infrared remote control system receiver which has been developed and designed by utilizing the most updated IC technology. The PIN diode and preamplifier are assembled on lead frame, the epoxy package is designed as an IR filter. The demodulated output signal can directly be decoded by a microprocessor.

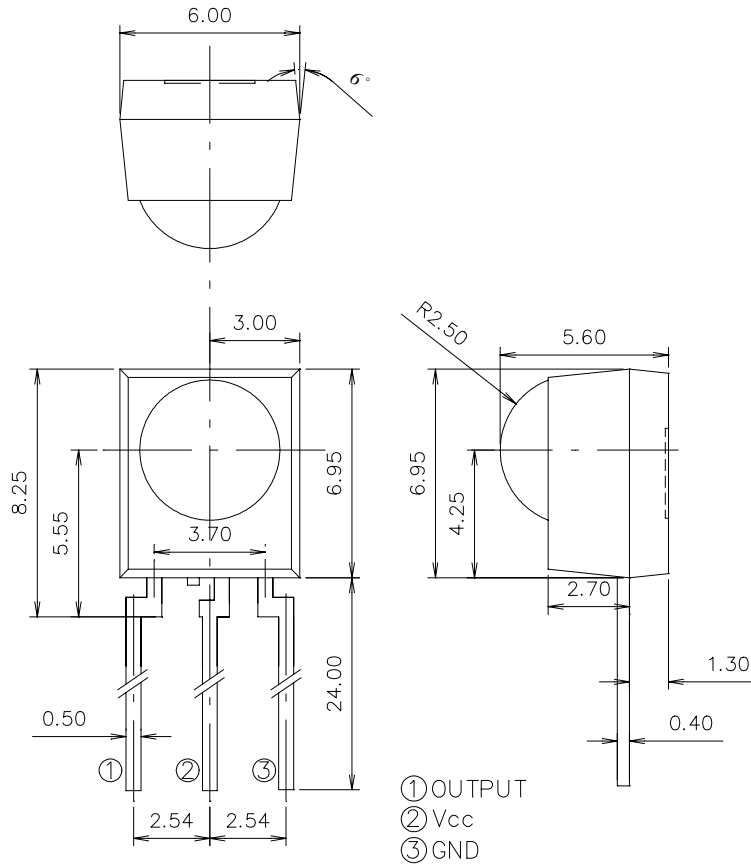
### ■ Applications :

1. Optical switch
  2. Light detecting portion of remote control
- AV instruments such as Audio, TV, VCR, CD, MD, etc.
  - Home appliances such as Air-conditioner, Fan , etc.
  - The other equipments with wireless remote control.
  - CATV set top boxes
  - Multi-media Equipment

PART	MATERIAL	COLOR
Chip	Silicon	Black

Device NO: DMO-037-194

**Package Dimensions :**



**NOTES :**

1. All dimensions are in millimeters.
2. In case of designation is tolerance  $\pm 0.3\text{mm}$ .

**Absolute Maximum Ratings at TA = 25°C**

Parameter	Symbol	Rating	Unit	Notice
Supply Voltage	Vcc	0~6	V	
Operating Temperature	Topr	-25 ~ +85	°C	
Storage Temperature	Tstg	-40 ~ +85	°C	
Soldering Temperature	Tsol	260	°C	4mm from mold body less than 5 seconds

Device NO: DMO-037-194

**Electronic Optical Characteristics :**
**TA = 25°C**

Parameter	Symbol	MIN.	TYP.	MAX.	Unit	Condition
Supply Voltage	V <sub>CC</sub>	2.5	---	5.5	V	DC voltage
Supply Current	I <sub>CC</sub>	---	---	3	mA	No signal input
B.P.F Center Frequency	F <sub>0</sub>	---	38	---	KHz	
Peak Wavelength	$\lambda_p$	---	940	---	nm	
Reception Distance	L <sub>0</sub>	14	---	---	m	At the ray axis *1
	L <sub>45</sub>	7	---	---		
Half Angle(Horizontal)	$\Theta_h$	---	45	---	deg	
Half Angle(Vertical)	$\Theta_v$	---	45	---	deg	
High Level Pulse Width	T <sub>H</sub>	400	---	800	$\mu$ s	At the ray axis *2
Low Level Pulse Width	T <sub>L</sub>	400	---	800	$\mu$ s	

**Appendix of Page 3 :**

\*1:The ray receiving surface at a vertex and relation to the ray axis in the range of  $\theta = 0^\circ$  and  $\theta = 45^\circ$ .

\*2:A range from 30cm to the arrival distance. Average value of 50 pulses.

**Test Method :**

The specified electro-optical characteristics is satisfied under the following Conditions at the controllable distance.

① Measurement place

A place that is nothing of extreme light reflected in the room.

② External light

Project the light of ordinary white fluorescent lamps which are not high Frequency lamps and must be less then 10 Lux at the module surface.

( $E_e \leq 10 \text{Lux}$ )

③ Standard transmitter

A transmitter whose output is so adjusted as to  **$V_o = 400 \text{mVp-p}$**  and the output Wave form shown in Fig.-1. According to the measurement method shown in Fig.-2 the standard transmitter is specified.

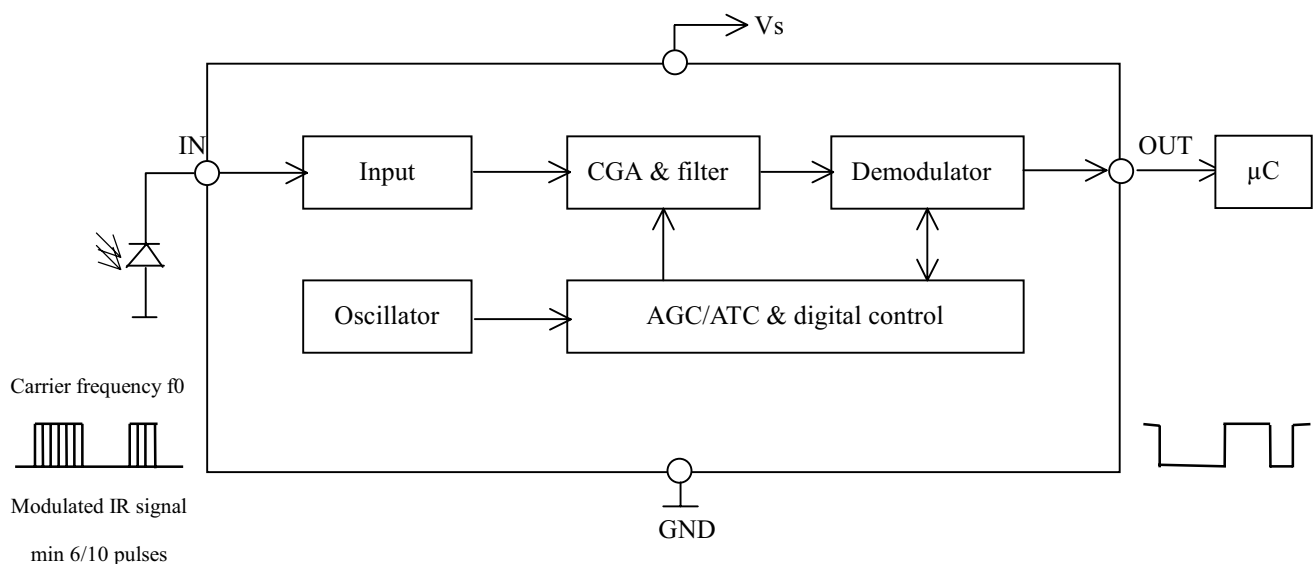
However , the infrared photodiode to be used for the transmitter should be  $\lambda_p = 940 \text{nm}, \Delta\lambda = 50 \text{nm}$ . Also, photodiode is used of PD438B ( $V_r = 5 \text{V}$ ).

(Standard light / Light source temperature  $2856^\circ \text{K}$ ).

④ Measuring system

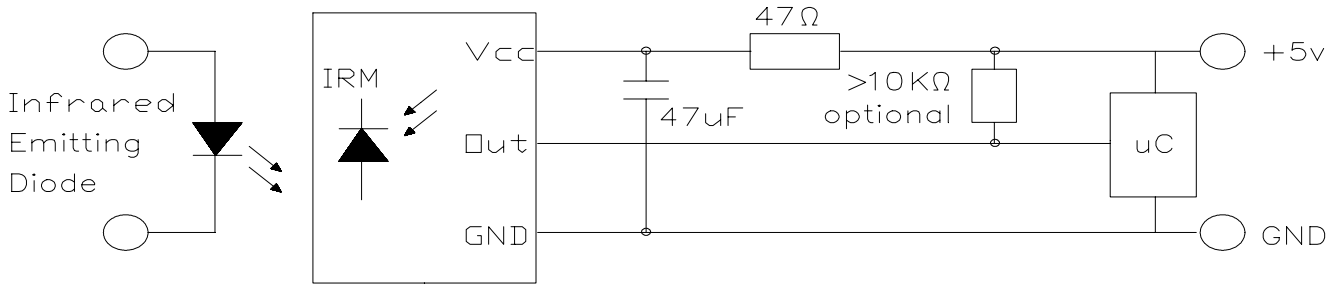
According to the measuring system shown in Fig.-3

**Block Diagram :**



Device NO: DMO-037-194

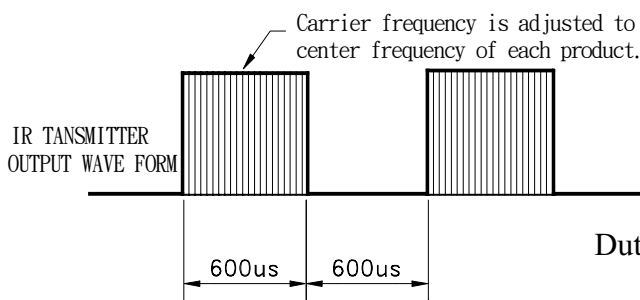
■ **Application Circuit :**



RC Filter should be connected closely between Vcc pin and GND pin.

Fig.-1 Transmitter Wave Form

D.U.T output Pulse



Duty=0.5

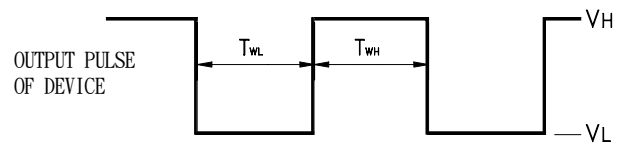
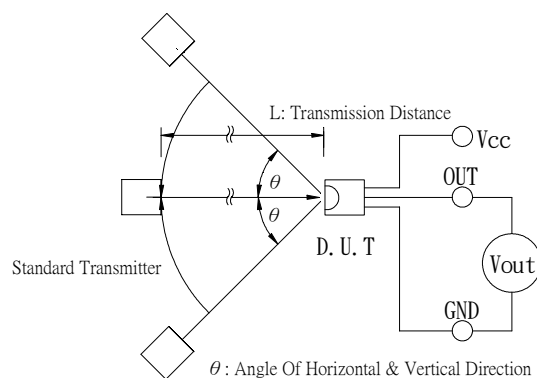
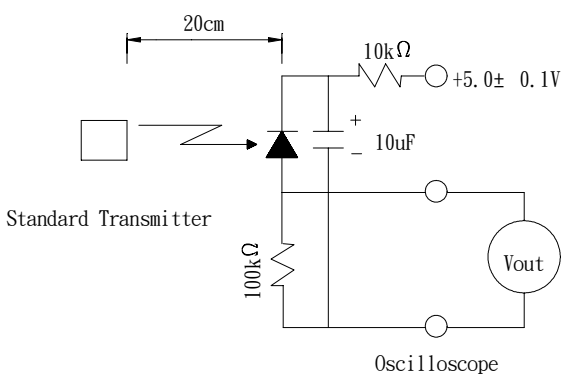


Fig.-2 Measuring Method

Fig.-3 Measuring System



**TYPICAL ELECTRICAL/OPTICAL/CHARACTERISTICS CURVES**

Fig.-4 Relative Spectral Sensitivity vs. Wavelength Fig.-5 Relative Transmission Distance vs. Direction

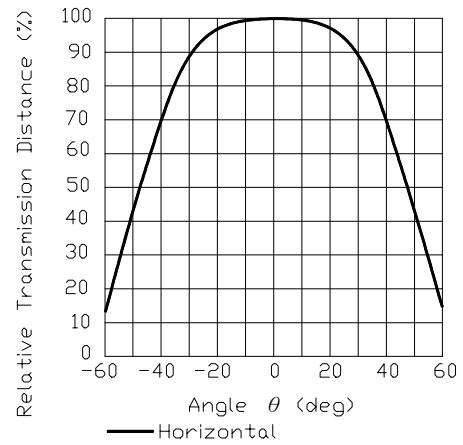
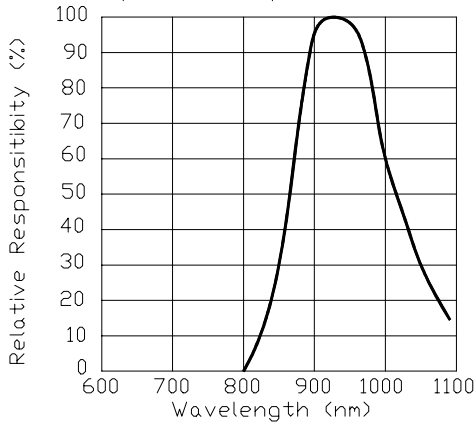


Fig.-6 Output Pulse Width vs. Arrival Distance

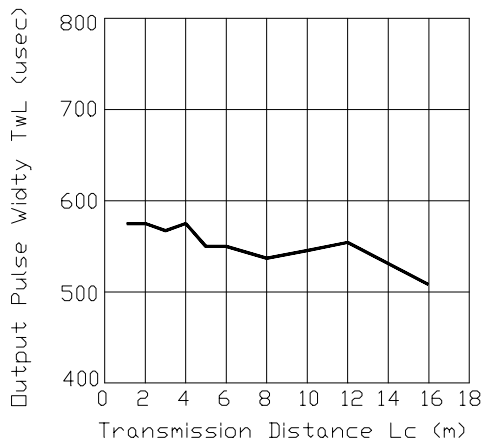


Fig.-7 Arrival Distance vs. Supply Voltage

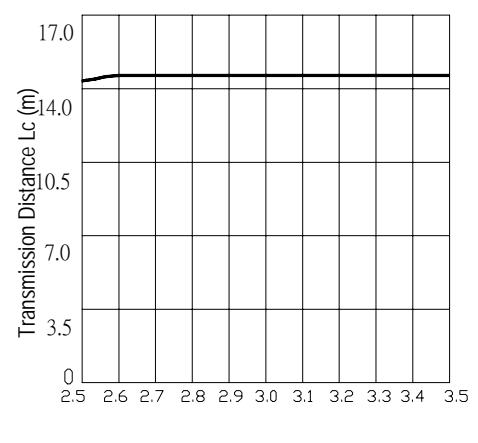


Fig.-8 Relative Transmission Distance vs. Center Carrier Frequency

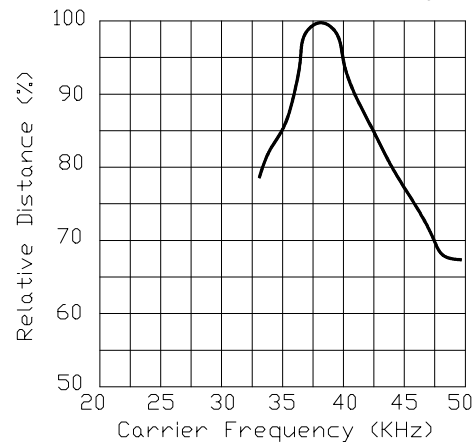
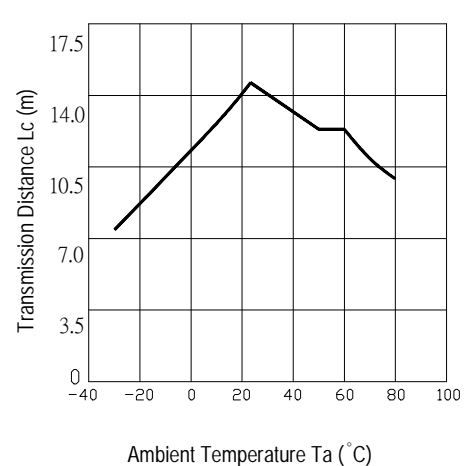


Fig.-9 Arrival Distance vs. Ambient Temperature



Device NO: DMO-037-194



**Reliability Test Item And Condition**

The reliability of products shall be satisfied with items listed below.

Confidence level: 90%

LTPD: 10%

Test Items	Test Conditions	Failure Judgement Criteria	Samples(n) Defective(c)
Temperature cycle	1 cycle -25°C +25°C +75°C (30min)(5min)(30min) 300 cycle test	$L_0 \leq L_x \times 0.8$ $L_{45} \leq L_x \times 0.8$  L: Lower specification limit	n=22,c=0
High temperature test	Temp: +75°C Vcc:6V 1000hrs		n=22,c=0
Low temperature storage	Temp: -40°C 1000hrs		n=22,c=0
High temperature High humidity	Ta: 60°C,RH:90% Vcc:6V 1000hrs		n=22,c=0
Solder heat	Temp: 260± 5°C 10sec 4mm From the bottom of the package.		n=22,c=0

**EVERLIGHT ELECTRONICS CO., LTD.**

Tel: 886-2-2267-2000, 2267-9936

Office: No 25, Lane 76, Sec 3, Chung Yang Rd,

Fax: 886-2267-6244, 2267-6189, 2267-6306